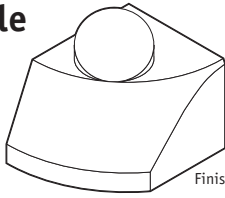




Paper Scale Model Kit

Print on heavy paper.
Cut out pieces. Fold on dashed lines. Assemble with white glue.



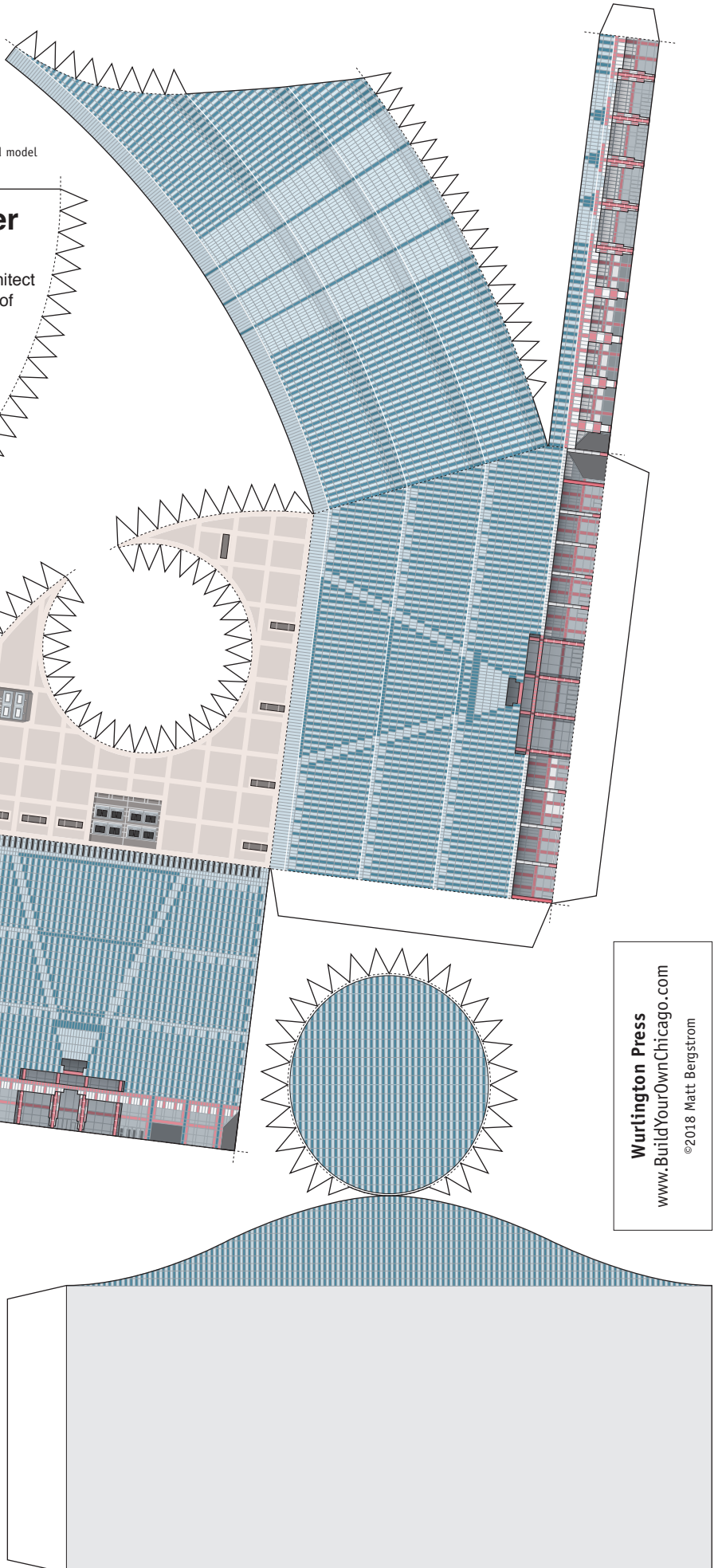
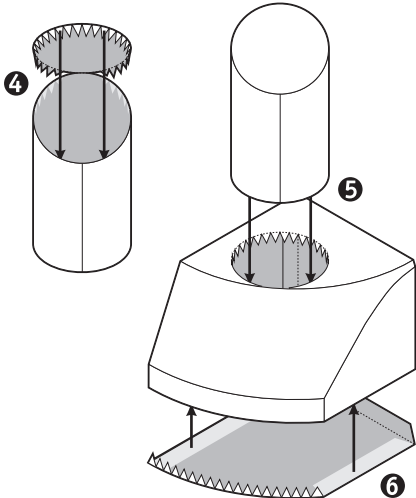
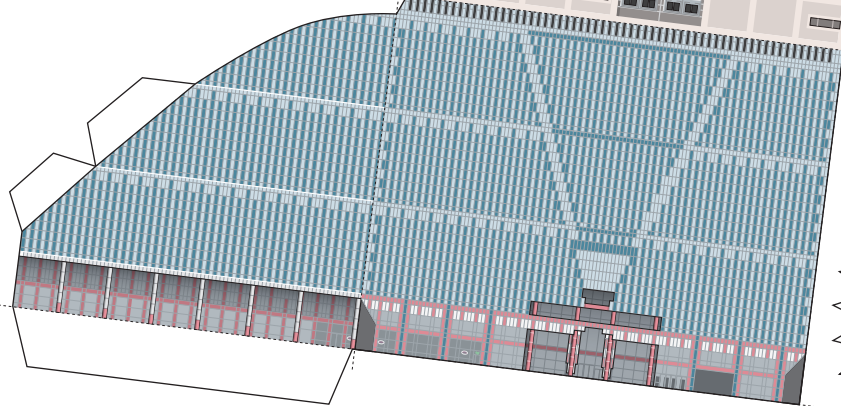
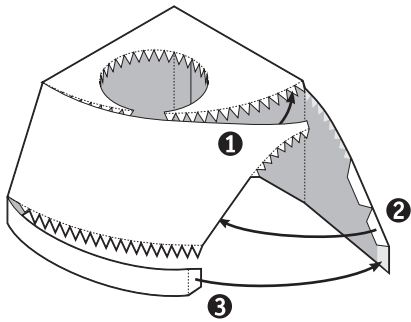
Finished model

James R. Thompson Center

Scale 1:1500

The State of Illinois Building was designed by architect Helmut Jahn and completed in 1985. Open floors of state government offices are centered around the round central 17-story atrium. The building's colorful glass design was plagued with heating and cooling problems from the start, but its biggest challenge has been neglected maintenance due to long-standing state budget difficulties. Recent plans to sell the site have made the building's long-term preservation unclear.

www.buildyourownchicago.com



Wurlington Press
www.BuildYourOwnChicago.com
©2018 Matt Bergstrom